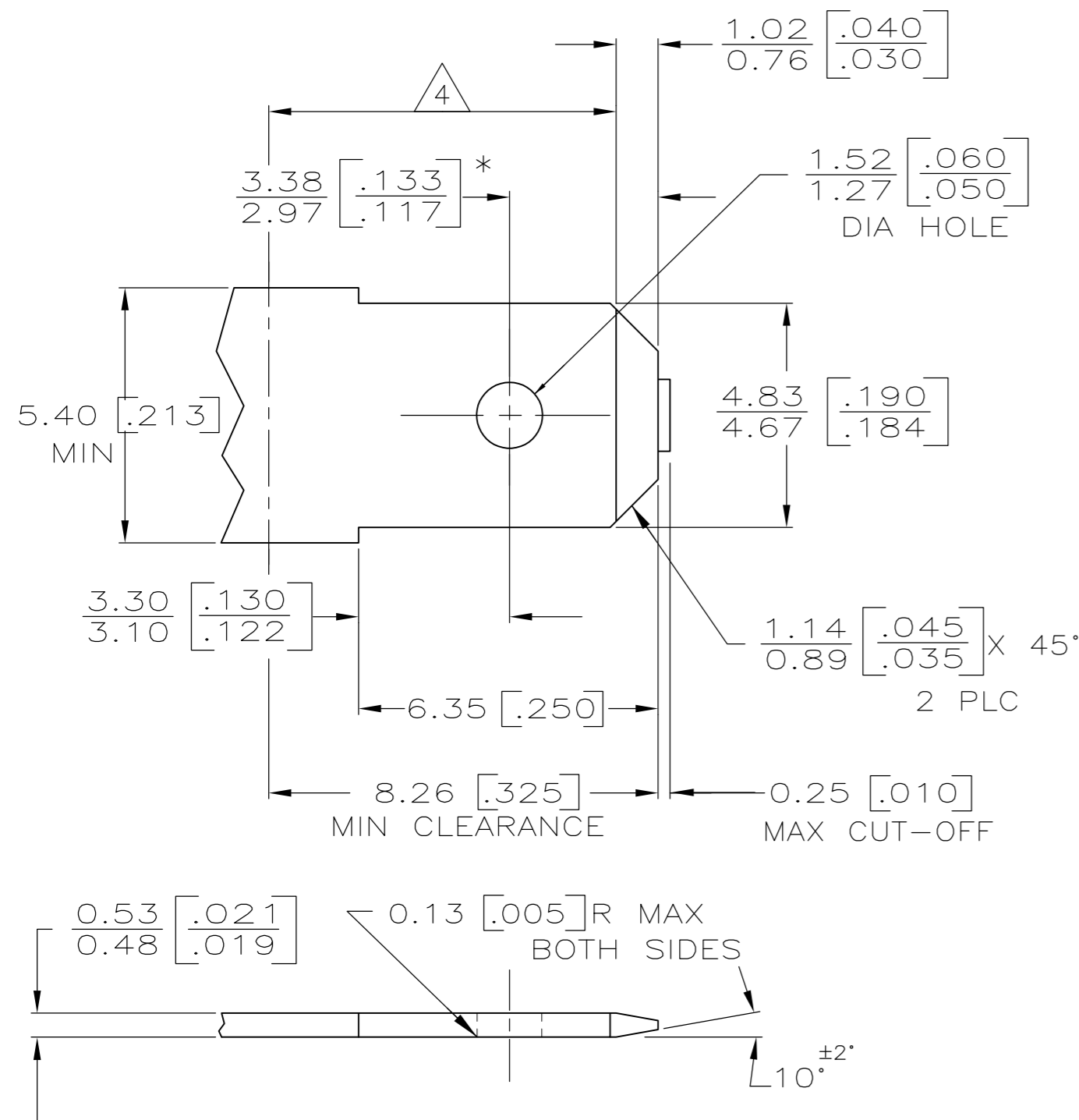


THIS DRAWING IS UNPUBLISHED. RELEASED FOR PUBLICATION
 © COPYRIGHT - By - ALL RIGHTS RESERVED.

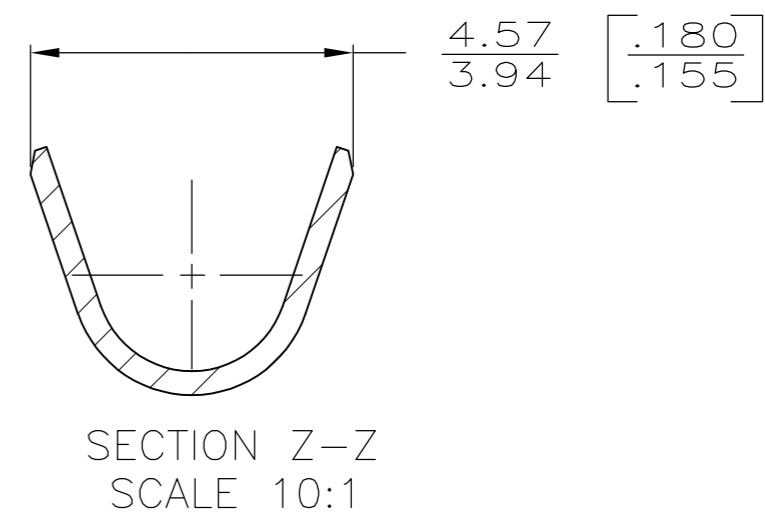
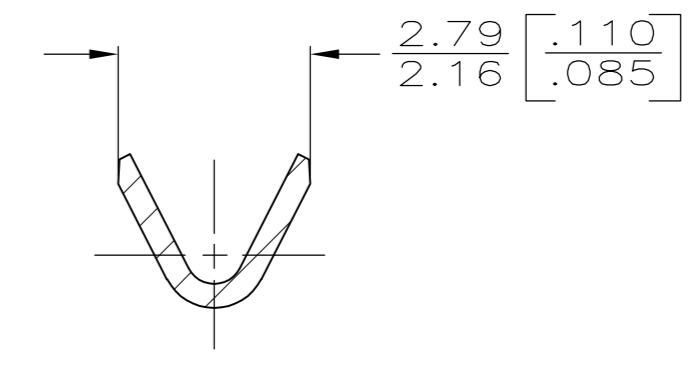
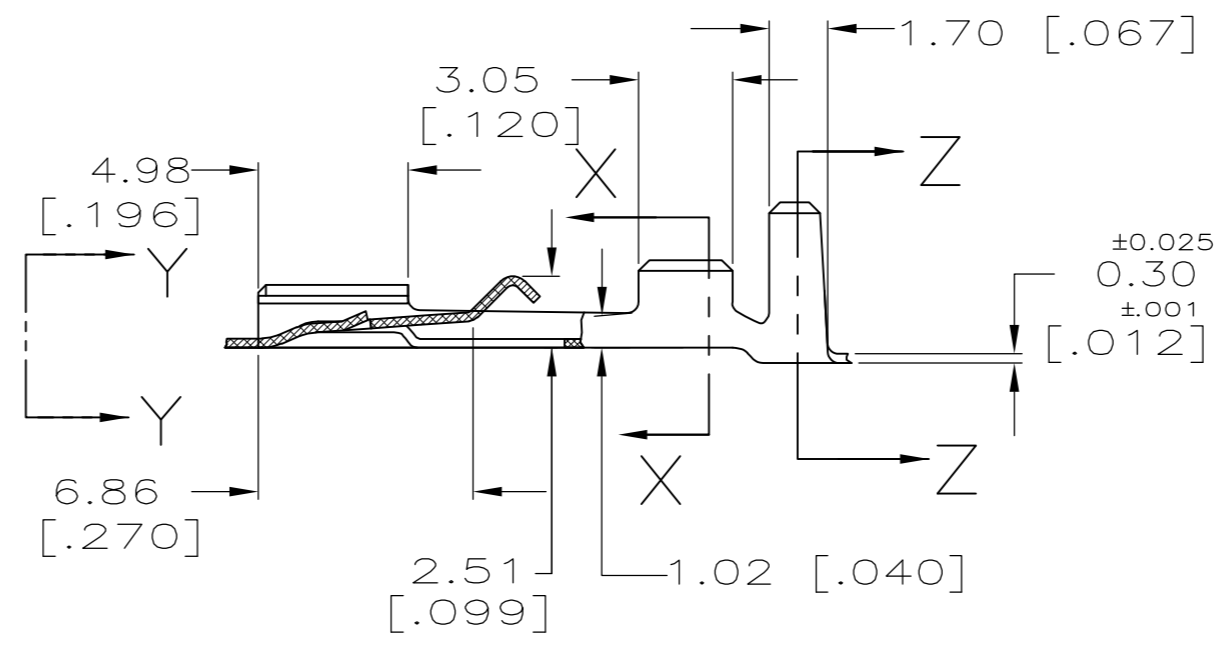
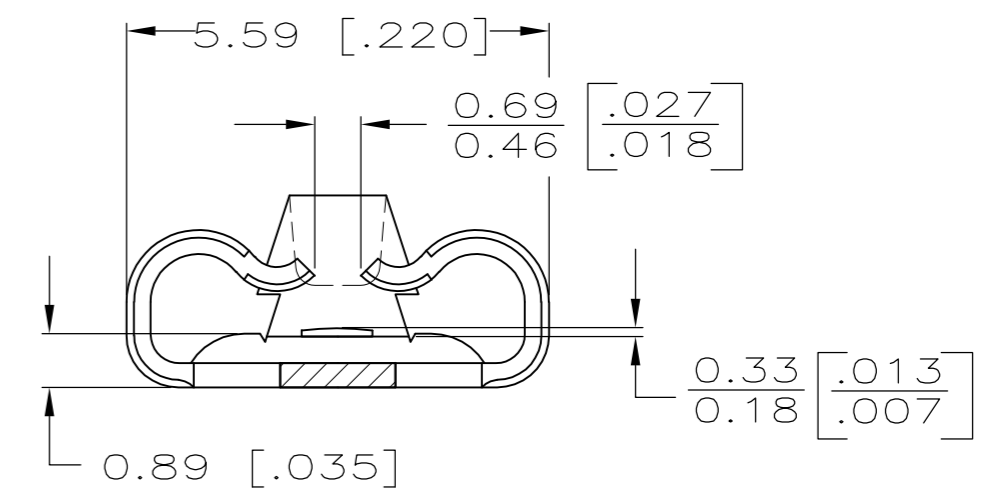
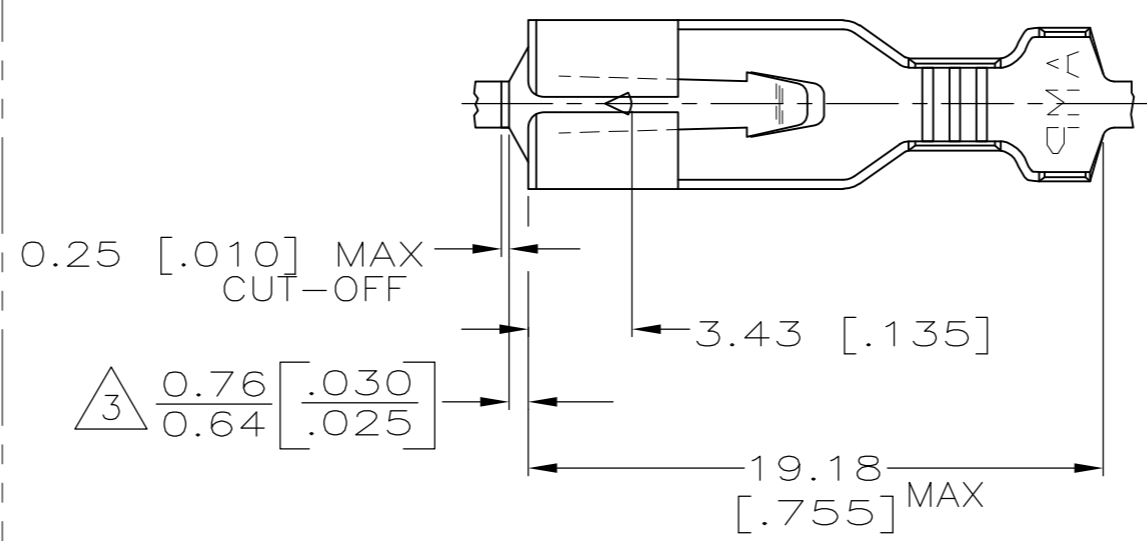
LOC		DIST		REVISIONS			
P	LTR	DESCRIPTION		DATE	DWN	APVD	
AF	50	N		REVISED PER ECR-13-011489	04DEC2013	KH	PD

SUGGESTED MATING TAB



- MATL: #2 HARD BRASS OR NICKEL PLATE STEEL.
 - NO BURRS PERMISSIBLE AT HOLE.
 - TIN PLATING IS REQUIRED ON BRASS WHEN TERMINAL TEMPERTURE IS OVER 225° F.
 - MUST BE FLAT WITHIN 0.076[.003] OVER THIS LENGTH.
 - HOLE MUST BE SYMMETRICAL ABOUT TAB \bar{t} WITHIN 0.076[.003].
- * TO BE USED ONLY WHEN SHOULDER IS ELIMINATED.

- NOT FOR USE IN AMP HOUSINGS.
 - CONTINUOUS STRIP ON REELS.
- △3 THE 0.76[.030] / 0.64[.025] DIMENSION MUST BE MAINTAINED BY THE APPLICATOR CUT-OFF TO ENSURE THE PROPER LOCKING FUNCTION OF THE RECEPTACLE.



OBSOLETE	PRE-TIN	1.52-2.79 [.060 - .110] DIA	0.2-0.5mm ² [20-16] AWG	63407-2
	TIN 0.002032 [.000080] MIN			63407-1
	FINISH	INSULATION RANGE	WIRE SIZE	PART NO

THIS DRAWING IS A CONTROLLED DOCUMENT.		DWN	JR RUTH	1/24/91	 TE Connectivity RECEPTACLE, POSITIVE-LOCK, 4.75 [.187] SERIES	
DIMENSIONS: mm [INCHES]		CHK	MS FEHER	1/24/91		
TOLERANCES UNLESS OTHERWISE SPECIFIED:		APVD	J GILLESPIE	1/24/91		
0 PLC ± - 1 PLC ± - 2 PLC ± 0.25 [.010] 3 PLC ± - 4 PLC ± - ANGLES ± - FINISH SEE TABLE		PRODUCT SPEC	-			
MATERIAL	BRASS	APPLICATION SPEC	-		SIZE	A2
		WEIGHT	-		CAGE CODE	00779
		CUSTOMER DRAWING			DRAWING NO	C=63407
		SCALE	4:1		SHEET	1 of 1
		REV	N			